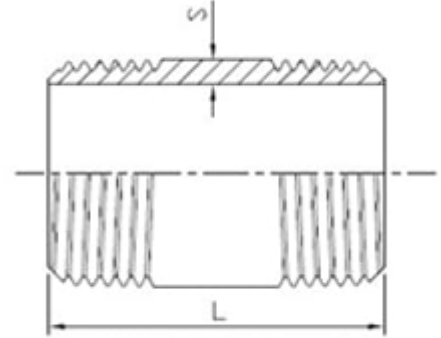


Manufacturers & Stockists of Nickel Alloy, Titanium Alloys, Special Metals & Stainless Steel Products

PIPE NIPPLE

We are the Butt-weld Pipe Nipple Manufacturer, stocker, and exporter and our products are being shipped all across the countries. All of the dimensions and designs largely conform to the required ASME and similar grades. To fulfill the requirements of our customers, all of the products are available in varied range and are designed out of numerous alloys like carbon steels, alloy steels, stainless steels, along with the non-ferrous metals which are certified to the high class standards. With special wall thickness and reducing sizes, our Butt-weld Pipe Nipple is available even in the customized shapes and designs as per the need of the clients.



Standards : ASME/ANSI - B16.9, ASTM A403 - ASME SA403, ASME B16.9, ASME B16.25, ASME B16.28, MSS SP-43.

Thickness : Schedule 5S, 10S, 20S, S10, S20, S30, STD, 40S, S40, S60, XS, 80S, S80, S100, S120, S140, S160, XXS and etc.

Size : Seamless Pipe Nipple (1/2" ~ 24"), ERW / Welded / Fabricated Pipe Nipple (1/2" ~ 48").

Type : Seamless / ERW

Type: Threaded Both End (TBE), Plain Both End (PBE), TBE X PBE

Pipe Nipple Material & Grades

Stainless Steel Pipe Nipple :

ASTM A403 WP316/316L, ASTM A403 SA / A 774 WP-S, WP-W, WP-WX 304/304L, ASTM A182 F316L, 304L, DIN 1.4301, DIN1.4306, DIN 1.4401, DIN 1.4404

Duplex & Super Duplex Steel Pipe Nipple:

ASTM A815, ASME SA 815 UNS NO S31803, S32205. UNS S32750, S32950. Werkstoff No. 1.4462

Carbon Steel Pipe Nipple:

ASTM A234, ASME SA234 WPB , WPBW, WPHY 42, WPHY 46, WPHY 52, WPH 60, WPHY 65 & WPHY 70.

Low Temperature Carbon Steel Pipe Nipple: ASTM A420 WPL3, A420 WPL6

Alloy Steel Pipe Nipple:

ASTM / ASME A/SA 234 Gr. WP 1, WP 5, WP 9, WP 11, WP 12, WP 22, WP 91

Manufacturers & Stockists of Nickel Alloy, Titanium Alloys, Special Metals & Stainless Steel Products

Copper Alloy Steel Pipe Nipple: ASTM B122, B171, B466, B467, ASTM SB 61 , SB62 , SB151 , SB152 UNS No. C70600 (Cu-Ni 90/10), C 71500 (Cu-Ni 70/30), UNS No. C 10100, 10200, 10300, 10800, 12000, 12200

Nickel Alloy Butt-weld Pipe Nipple:

ASTM SB564, SB160, SB472, SB162 Nickel 200 (UNS No. N02200), Nickel 201 (UNS No. N02201), Monel 400 (UNS No. N04400), Monel 500 (UNS No. N05500), Inconel 800 (UNS No. N08800), Inconel 825 (UNS No. N08825), Inconel 600 (UNS No. N06600), Inconel 625 (UNS No. N06625), Inconel 601 (UNS No. N06601), Hastelloy C 276 (UNS No. N10276), Alloy 20 (UNS No. N08020), Titanium (Grade 2 & 5)



We offer wide range of Pipe Nipple that in compliance with ASTM, ANSI, IS, BS and DIN standards at best Market prices in India. To know more about the latest price of Pipe Nipple please feel free to contact us on sales@jadealloys.com or call us on +91 9987685906