

Manufacturers & Stockists of Nickel Alloy, Titanium Alloys, Special Metals & Stainless Steel Products

ELBOW

We at Jade Special Metals are one of the well-known manufacturers, traders and suppliers of Butt-weld Elbows. We have developed products for a range of industries over the years. We have a range of products that we develop and design to address the needs of the markets effectively.

Our Elbows are available in many alloys to meet the specific requirements of the customers as per the applications. We are always ready to take that extra step to help our customers in helping them find products that fit their need perfectly. We offer Elbows in variety of sizes, thickness, grades, standards and finishes.

Our Elbows are available in Stainless Steel, Carbon Steel, Alloy Steel, Titanium, Hastelloy, Inconel, Copper-nickel, Incoloy, Titanium and more.



Standards : ASME/ANSI - B16.9, ASTM A403 - ASME SA403, ASME B16.9, ASME B16.25, ASME B16.28, MSS SP-43.

Thickness : Schedule 5S, 10S, 20S, S10, S20, S30, STD, 40S, S40, S60, XS, 80S, S80, S100, S120, S140, S160, XXS and etc.

Size : Seamless Elbow (1/2" ~ 24"), ERW / Welded / Fabricated Elbow (1/2" ~ 48").

Type : Seamless / ERW / Welded / Fabricated

Form : Elbow, 45 Deg Elbow, 90 Deg Elbow, 180 Deg Elbow, Long Radius Elbow, Short Radius Elbow, 1D Elbow, 3D Elbow, 5D Elbow

Elbow Material & Grades

Stainless Steel Elbow :

ASTM A403 WP316/316L, ASTM A403 SA / A 774 WP-S, WP-W, WP-WX 304/304L, ASTM A182 F316L, 304L, DIN 1.4301, DIN1.4306, DIN 1.4401, DIN 1.4404

Duplex & Super Duplex Steel Elbow :

ASTM A815, ASME SA 815 UNS NO S31803, S32205. UNS S32750, S32950. Werkstoff No. 1.4462

Carbon Steel Elbow :

ASTM A234, ASME SA234 WPB , WPBW, WPHY 42, WPHY 46, WPHY 52, WPH 60, WPHY 65 & WPHY 70.

Low Temperature Carbon Steel Elbow : ASTM A420 WPL3, A420 WPL6

Manufacturers & Stockists of Nickel Alloy, Titanium Alloys, Special Metals & Stainless Steel Products

Alloy Steel Elbow :

ASTM / ASME A/SA 234 Gr. WP 1, WP 5, WP 9, WP 11, WP 12, WP 22, WP 91

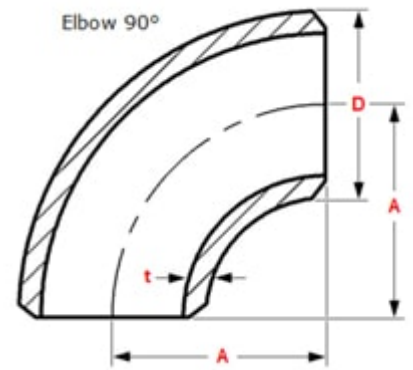
Copper Alloy Steel Elbow : ASTM B122, B171, B466, B467, ASTM SB 61 , SB62 , SB151 , SB152 UNS No. C70600 (Cu-Ni 90/10), C 71500 (Cu-Ni 70/30), UNS No. C 10100, 10200, 10300, 10800, 12000, 12200

Nickel Alloy Buttweld Elbow:

ASTM SB564, SB160, SB472, SB162 Nickel 200 (UNS No. N02200), Nickel 201 (UNS No. N02201), Monel 400 (UNS No. N04400), Monel 500 (UNS No. N05500), Inconel 800 (UNS No. N08800), Inconel 825 (UNS No. N08825), Inconel 600 (UNS No. N06600), Inconel 625 (UNS No. N06625), Inconel 601 (UNS No. N06601), Hastelloy C 276 (UNS No. N10276), Alloy 20 (UNS No. N08020), Titanium (Grade 2 & 5)

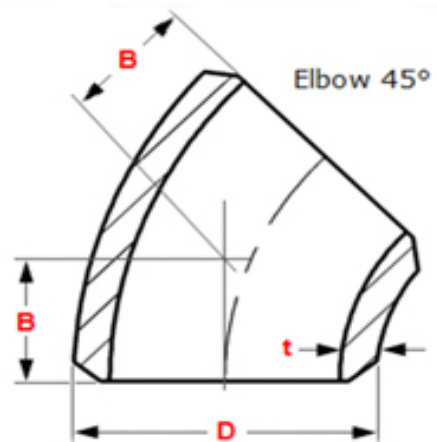
90 Degree Elbows

Jade Special Metals is one of the finest distinguished exporters and manufactures of 90 Degree Elbow Pipe Fittings, which can further be customized in terms of sizes and thicknesses as per specific requirements given by our esteemed clients. Meanwhile, these Stainless Steel 90 Degree Elbow Pipe Fittings are as well offer a cost effective option to fabricating rings from steel plate. By combining the most recent in ring rolling technology with skilled people, we deliver these Carbon Steel 90 Degree Elbow Pipe Fittings at the lowest possible cost. Super Duplex Steel 90 Degree Elbow Pipe Fittings is more frequently used than any other metal, and has extensively well-liked for its low cost and versatility.



45 DEGREE ELBOWS

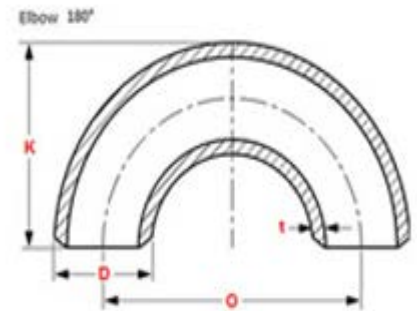
Jade Special Metals is one of the finest distinguished exporters and suppliers of 45 Degree Elbow Pipe Fittings, which is used for different engineering application all over the industries. Specifications of these Stainless Steel 45 Degree Elbow Pipe Fittings are as well defined by the adding up of parts such as silicon, Sulphur, phosphorous and manganese. Meanwhile, these Carbon Steel 45 Degree Elbow Pipe Fittings are also used in Oil and Gas Industry, Chemical Industry, Water Treatment Industry, Steel Industry and more. Our Super Duplex Steel 45 Degree Elbow Pipe Fittings are extremely efficient that cause to be reliable performance for longer period of time. Alloy Steel 45 Degree Elbow Pipe Fittings are much less magnetic than regular steel fasteners despite the fact that some grades will be magnetic to some extent.



Manufacturers & Stockists of Nickel Alloy, Titanium Alloys, Special Metals & Stainless Steel Products

180 DEGREE ELBOWS

Jade Special Metals is one of the finest distinguished exporters and traders of 180 Degree Elbow Pipe Fittings, which may possibly be welded by means of traditional methods. Premeditated from superior grade of steels, these Stainless Steel 180 Degree Elbow Pipe Fittings are provided to our valuable customers in customized and standard specifications. Our Carbon Steel 180 Degree Elbow Pipe Fittings are significantly harder and stronger with respect to other grades. Also, our Alloy Steel 180 Degree Elbow Pipe Fittings is virtually irreplaceable in resisting oxidation at elevated temperatures. Super Duplex Steel 180 Degree Elbow Pipe Fittings also raises the tensile, yield, and hardness at room temperatures. Meanwhile, these Inconel Alloy 180 Degree Elbow Pipe Fittings are used for different applications such as in Military Aircraft, Commercial aircraft, Automotive, Hydraulic tools, Machine tools, Aerospace, Auto racing and others.



We offer wide range of Elbows that in compliance with ASTM, ANSI, IS, BS and DIN standards at best Market prices in India. To know more about the latest price of Elbows please feel free to contact us on sales@jadealloys.com or call us on +91 9987685906